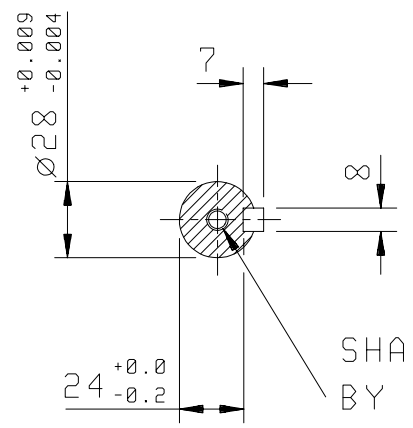


DRG. No. K10GD003/0
 DRG. REF.

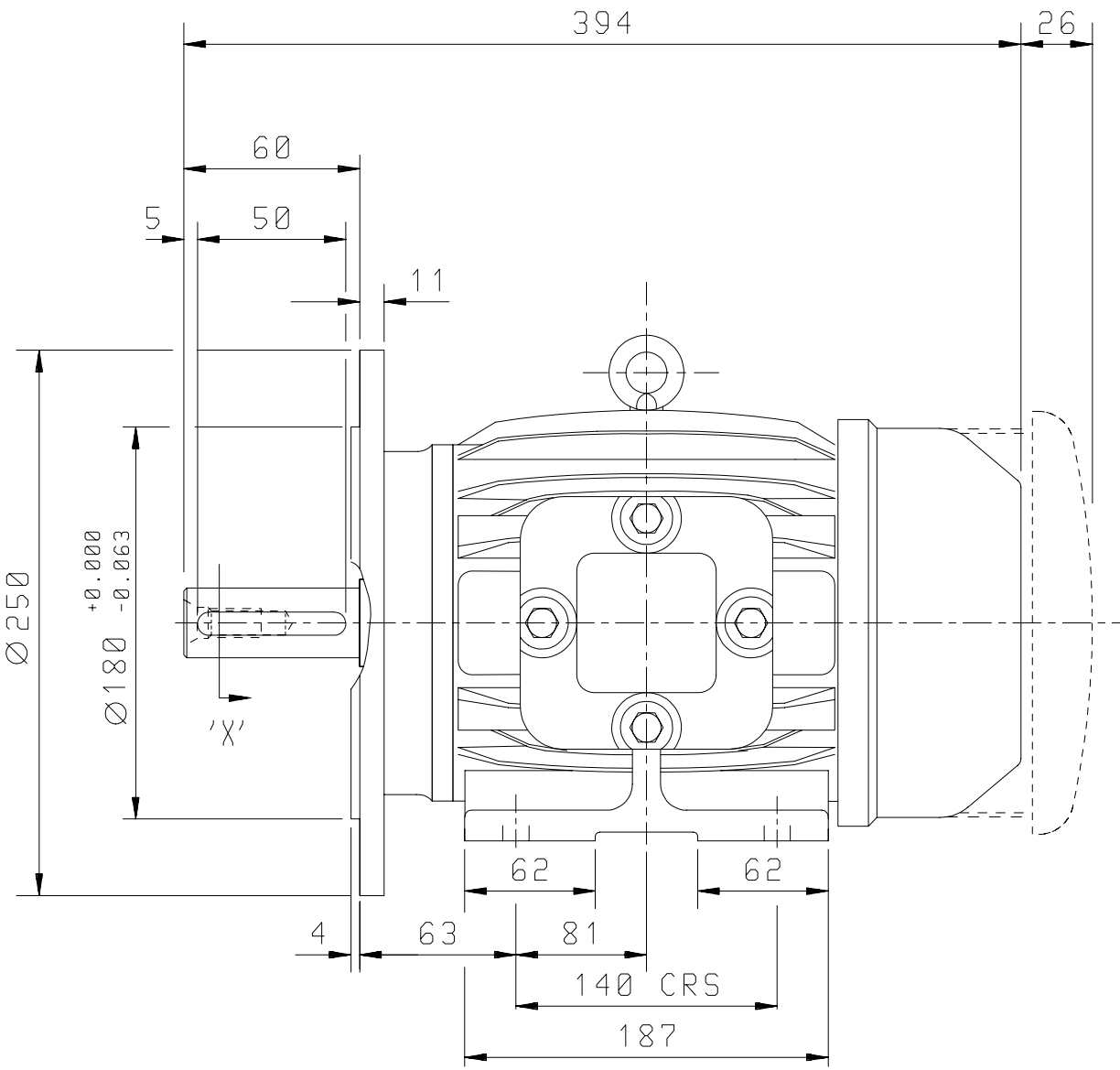


SHAFT TAPPED M10
 BY 22 DEEP
 TO DIN 332 FORM 'D'

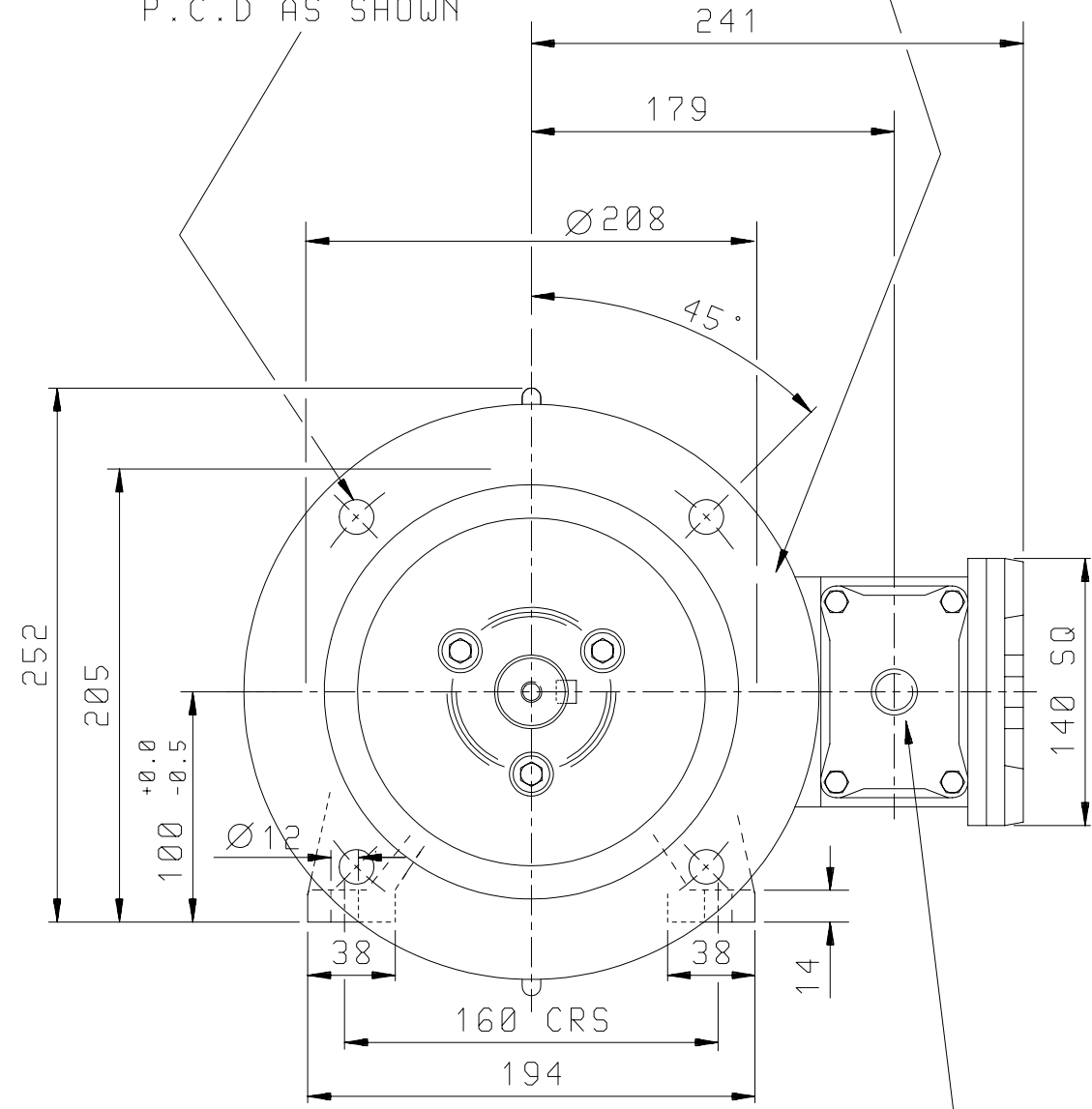
CABLE ENTRY POSITION SHOWN IS FOR
 ILLUSTRATION ONLY, TERMINAL BOX CAN
 BE ROTATED THROUGH 90° INTERVALS.

DRIP-PROOF COWL FITTED ON ALL
 VERTICAL SHAFT DOWN MOTORS &
 ALL MOTORS WITH CAST IRON
 FAN COVERS, OR WHEN REQUESTED.

SECTION ON 'X'



4-HOLES DRILLED Ø15
 EQUALLY SPACED ON A 215
 P.C.D AS SHOWN

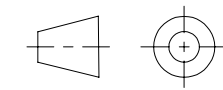


EXTERNAL EARTH
 POSITION

1 - CONDUIT ENTRY
 TAPPED M20 TO SUIT
 COMPRESSION GLAND

CUSTOMER		
ORDER No.		
PART No.		
OUR ORDER No.		
FRAME SIZE		
KW.	RPM.	
Hz	PHASE	
VOLTS	POLES	
BRGS.	DE.	NDE.
MOTOR NETT WT.	Kg.	
SPECIAL REMARKS		

ALL DIMENSIONS IN MILLIMETRES



FIRST ANGLE
 PROJECTION

**BROOK
 CROMPTON**

Huddersfield, HD1 3LJ
 ENGLAND

SHEET SIZE A3	TITLE	OUTLINE DIMENSION DRAWING 'W' FLAMEPROOF TOTALLY ENCLOSED FAN COOLED EExd 100L FRAME FOOT & FLANGE MOUNTED MOTOR GROUPS IIA & IIB	NAME	DATE
			DRAWN	VLR 06-01-04
			CHECKED	DH 06-01-04
			SCALE	N.T.S

DRG. No.	K10GD003/0
DRG. REF.	
REVISION:	DATE